

Cam-Lok® Standard Series



All Cam-Lok part numbers available in convenient, single-use, color-coded packaging.

| NON-VULCANIZED | | MALE PLUG | | |
|------------------|------------|-------------------|-----------------------|-------------------------|
| COLOR | CABLE SIZE | COMPLETE PART NO. | CONTACT ONLY PART NO. | INSULATOR ONLY PART NO. |
| DOUBLE SET SCREW | BLACK | E1018-8362 | A200639-1 | A200071-13 |
| | RED | E1018-8364 | | A200071-15 |
| | GREEN | E1018-8366 | | A200071-17 |
| | WHITE | E1018-8367 | | A200071-18 |
| | BLUE | E1018-8368 | | A200071-38 |
| | BROWN | E1018-8369 | | A200071-40 |
| | ORANGE | E1018-8365 | | A200071-16 |
| | YELLOW | E1018-8363 | | A200071-14 |



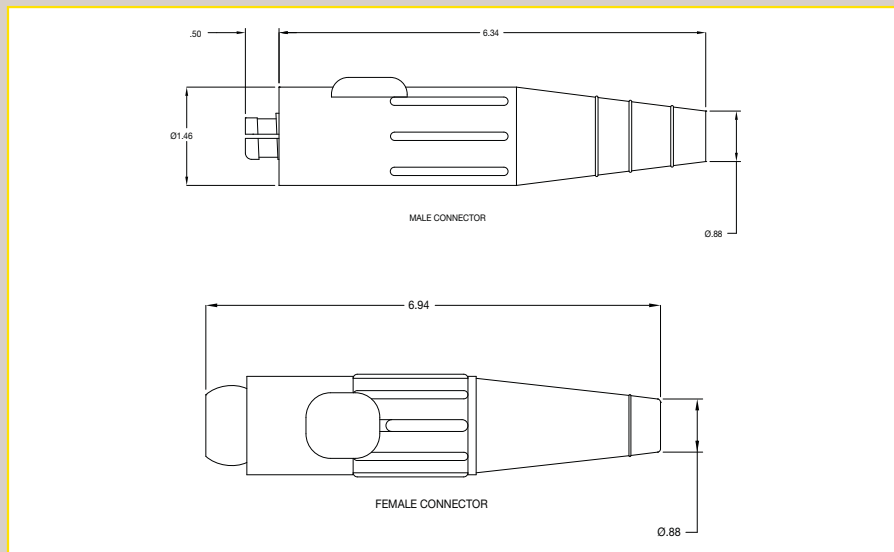
E1018-8362

| NON-VULCANIZED | | FEMALE PLUG | | |
|------------------|------------|-------------------|-----------------------|-------------------------|
| COLOR | CABLE SIZE | COMPLETE PART NO. | CONTACT ONLY PART NO. | INSULATOR ONLY PART NO. |
| DOUBLE SET SCREW | BLACK | E1018-8387 | A200641-2 | A200072-13 |
| | RED | E1018-8389 | | A200072-15 |
| | GREEN | E1018-8391 | | A200072-17 |
| | WHITE | E1018-8392 | | A200072-18 |
| | BLUE | E1018-8393 | | A200072-38 |
| | BROWN | E1018-8394 | | A200072-40 |
| | ORANGE | E1018-8390 | | A200072-16 |
| | YELLOW | E1018-8388 | | A200072-14 |



E1018-8387

E1018 Series



CAM-LOK STANDARD SERIES "BALL NOSE" DESIGN RECEPTACLES AND PLUGS HAVE BEEN USED FOR YEARS IN SHIPYARDS, CONSTRUCTION SITES AND POWER PLANTS. THEY HAVE BECOME THE STANDARD BY THE BROADCAST INDUSTRY IN CANADA, AS WELL AS THE WELDING INDUSTRY IN THE UNITED STATES.

RATINGS: 600 VOLTS UP TO 400 AMPERES CONTINUOUS

STANDARD MATERIALS
 CABLE SIZE: 2/0 - 4/0
 CONNECTOR BODY: TPE
 CONTACT: BRASS

AGENCY APPROVALS
 CSA CERTIFIED LR13963

ENVIRONMENTAL RATING: NEMA 3R